



**MTG**

No limits innovation



**INS.2.4.3**

# **TWINMET retrofit**

## **Intermediate Adapter MJ square**

Installation procedure

## DISCLAIMER

### © MTG, all rights reserved

The brands identified with an asterisk do not belong to METALOGENIA S.A. and this organization refers to them only to identify the destination of its products, without there being any relationship between METALOGENIA S.A. and the legitimate owners of any such brands.

**Copy right:** It is strictly forbidden for any person not belonging to MTG to distribute all or any part of the material set out in this document unless they are authorized to do so.

**Liability:** To ensure the correct use and handling of the MTG products without risk, please carefully read the corresponding service instructions set out on the MTG website. MTG will not be held liable for damages, loss, injury, or death arising from incorrect use or failure to heed the provisions of this guide. Similarly, MTG will not be held liable for damages caused due to the faulty installation or handling of its products. MTG likewise declines all liability for recommendations related to the use or handling of MTG products set out in documents not expressly authorized by MTG.

MTG is the sole legitimate owner of the trademarks that identify its products. Trademarks and/or drawings marked with an asterisk (\*) are not the property of MTG and are mentioned and/or shown for the sole purpose of identifying the destination of MTG products.

## 1. SAFETY

The practices described in this manual can be taken as guidelines for operating safely in many conditions and in addition to the safety standards that are current and enforceable in your area or region.

Your safety and the safety of third parties is the result of putting into practice your knowledge of the correct operational procedures.

Attention, when performing the work described in these instructions, always work safely and use the personal protection elements required to minimize or avoid injury. Always wear:



**HARD  
HAT**



**SAFETY  
GLASSES**



**EAR  
PROTECTION**



**STEEL TOED  
BOOTS**



**PROTECTION  
GLOVES**

To avoid eye injury, always wear safety goggles or a protective mask when using any equipment, hammer or similar tool. When equipment is under pressure or when objects are struck, chips or other debris can be thrown out. Make sure no one gets hurt by the debris that is fired before applying pressure or hitting an object. Wear eye protection that complies with ANSI Z87.1 and OSHA standards. Also wear hearing protection and gloves.

Lifting a heavy object can cause serious or fatal injury. DO NOT exceed the maximum rated capacity of lifting and positioning devices: Stay away from the area under a suspended load.

Make sure that the chain is not damaged and that the load is always balanced.



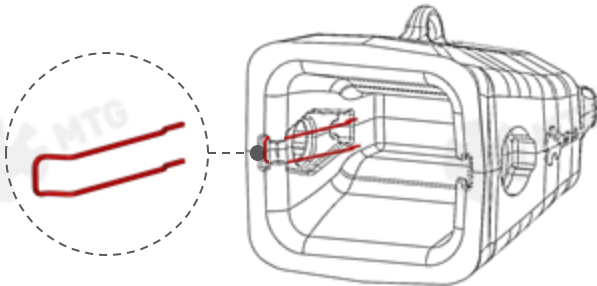
**LIFTING  
LUG**

## 2. INSTALLATION PROCEDURE

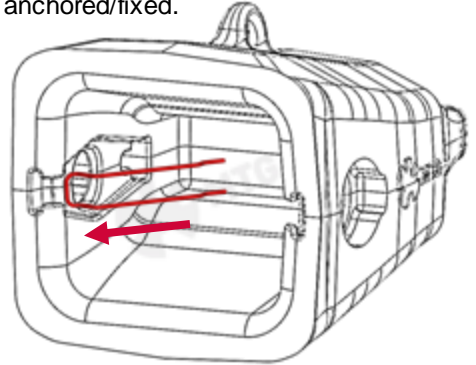
**NOTE:** Neither the steel spring retainer nor the pin are re-usable, especially for safety reasons. When swapping, rotate, change positions for any reason, involving the disassembly process, a new pin and retainer **MUST** be used.



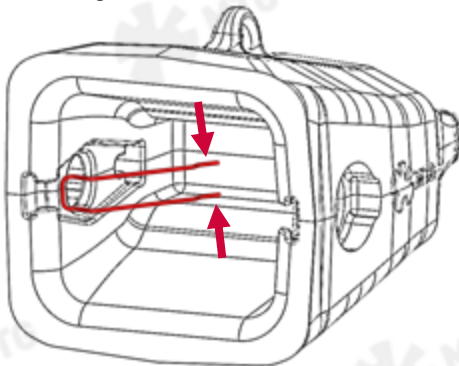
- 2.1** Ensure that the metallic retainer is duly placed on its correct position. If so, advance to step 2.5 otherwise continue to the next step.



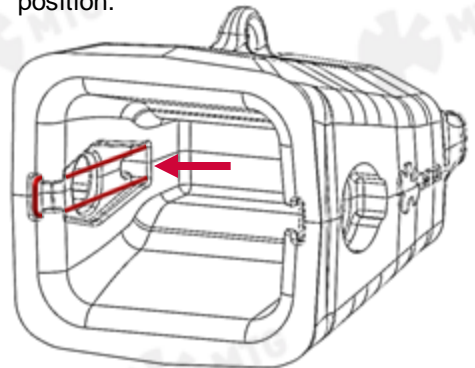
- 2.2** Place the metallic retainer on the opened groove until it remains anchored/fixated.



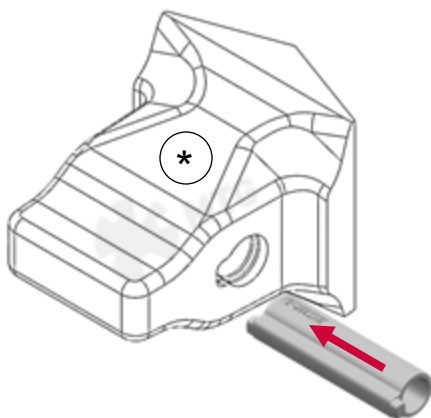
- 2.3** Press slightly both legs of the metallic retainer and turn it towards the 2nd groove (internal side) to let both extremes anchored inside the groove.



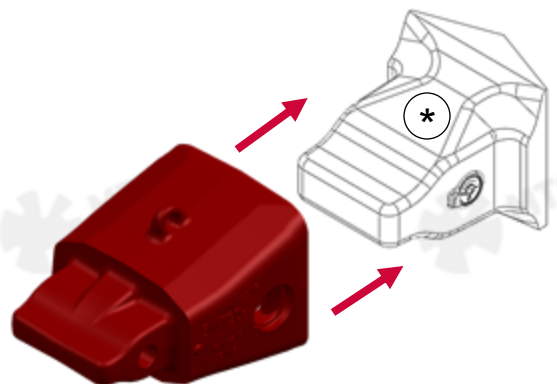
- 2.4** Release the pressure on the retainer once placed inside the groove and check if it has opened and is on its final position.



- 2.5** Insert the sleeve on either side of the nose.

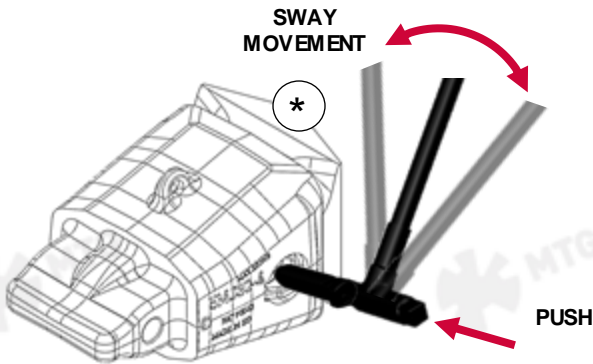


- 2.6** Insert the intermediate adapter into the nose with the help of the lifting lug and a crane.

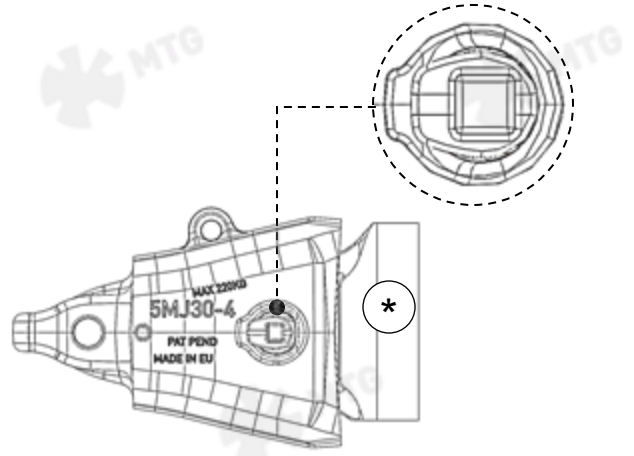


**2.7**

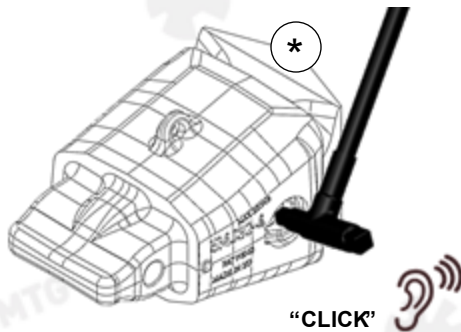
Insert the pin in one of the adapter sides (by its chamfered end) and press it towards inside (against the metallic retainer) with the help of the removal tool. A sway movement (back and forth) of the removal tool will ease the operation.

**2.8**

When the pin reaches its final position, the pin tab should be aligned to its housing.

**2.9**

When the pin becomes locked, a "click" sound trigger must be heard/noticed, which means that the metallic retainer rests on its working position.

**2.10**

Repeat steps 2.7-2.9 with the pin of the opposite side.

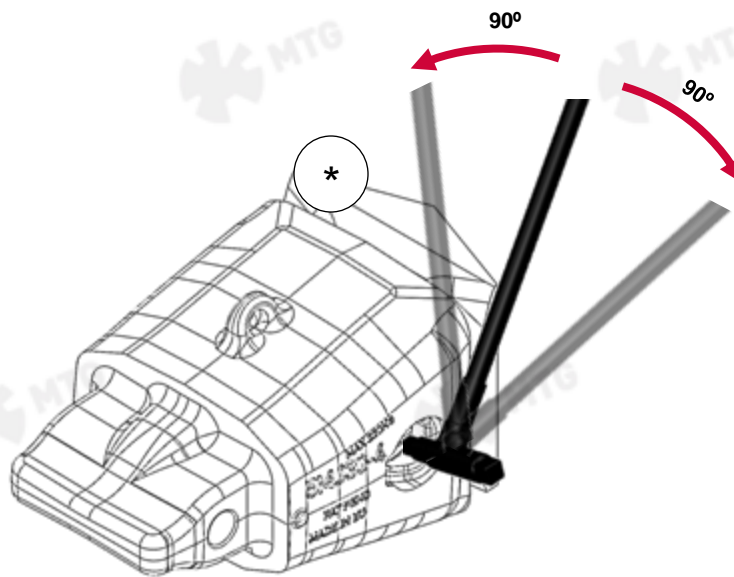
### 3. REMOVAL PROCEDURE

**NOTE:** Prior to proceed with the adapter removal, check that the lifting-eye is still usable to lift the part. In case of deformation or wearing signs on the lifting-eye, a new lifting-eye shall be welded, ensuring that the lifting can be safely carried out.

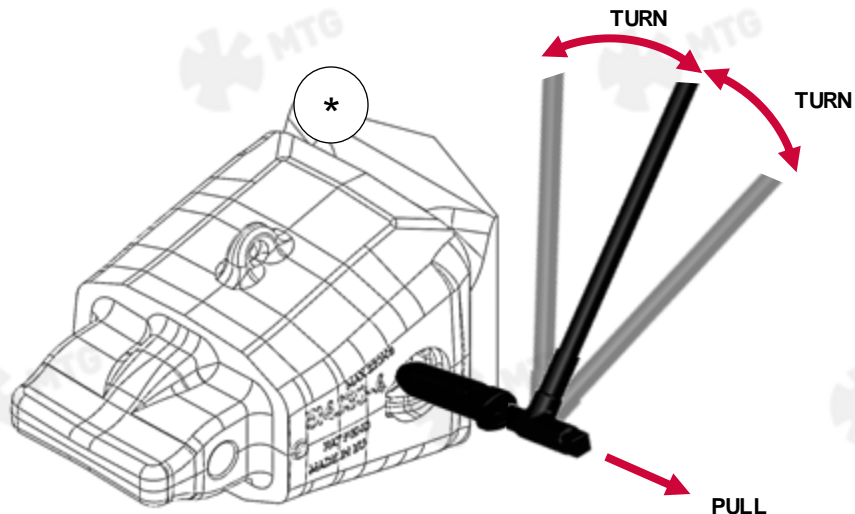


**3.1** Clean the fines stuck inside the square pin cavity. Next, insert the removal tool and rotate the pin 90° in either direction to unlock the retainer pin.

If the pin is hard to turn, do not force it and proceed with several sway movements (back and forth) to break up the fines stuck inside the hole. An impact gun can be used for this operation.



**3.2** Once the pin has turned 90°, remove it from its housing by pulling and turning with the extraction tool.



**3.3** Repeat previous steps 3.1 and 3.2 with the pin of the opposite side.



## Service Instructions

The latest welding recommendations and assembly / disassembly instructions can be found online:

[www.mtgcorp.com/manuals](http://www.mtgcorp.com/manuals)

Please contact Technical Services in case of questions:

[technical.services@mtg.es](mailto:technical.services@mtg.es)



---

### MTG HEADQUARTERS

Carrer d'Àvila, 45  
08005 Barcelona (Spain)  
(+34) 93 741 70 00  
info@mtg.es

### MTG NORTH AMERICA

4740 Consulate Plaza Drive  
Houston, TX 77032 (USA)  
+1 (281) 872 1500  
info@mtgcorp.us

### MTG AUSTRALIA

16 – 18 Thorpe Close  
Welshpool, WA, 6106 (AUS)  
+61 8 6248 6513  
Info.australia@mtg.es